



## Research Paper

# Investigating the effect of authentic leadership on employee job satisfaction with emphasis on the mediating role of job involvement

Mohammad Hadi Asgari<sup>1</sup> 

1- Assistant Professor of Business Management, Islamic Azad University of Tonekabon, Iran. President of Iran Business Management Association

### Receive:

09 November 2021

### Revise:

15 June 2022

### Accept:

13 September 2022

### Published online:

10 February 2023

### Abstract

The present study was conducted with the aim of investigating the effect of authentic leadership on the job satisfaction of employees, emphasizing the mediating role of job involvement. The method of this study was descriptive-survey type. The statistical population of the research was 311 employees and managers of the central organization of Islamic Azad University (275 employees and 36 managers), of which 158 people were selected based on Cochran's formula and by simple random sampling as the sample size of employees. The census method was used to collect the managers' information due to the limited statistical population. To collect the data, the standard questionnaires of Ladahl and Kenger (1965) on job involvement with a reliability coefficient of (0.85), and Minnesota job satisfaction with a reliability coefficient of (0.88), and the authentic leadership of Walumba et al. (2008) with a reliability coefficient (0.90) was used; whose validity was confirmed by academic experts and their reliability was also confirmed through Cronbach's alpha coefficient test. In order to analyze the data, structural equation technique was used through Statistical software LISREL and Spss version 22. Quantitative findings from the test of research hypotheses showed that authentic leadership has a positive and significant effect on both job involvement and job satisfaction of employees. Job involvement has a positive and significant effect on employee job satisfaction. Job involvement has played a mediating role in the impact of authentic leadership on job satisfaction. The results of the research also showed that the components of transparency in relationships, balanced processing, internal aspects, and self-awareness had the most influence on job engagement and job satisfaction, respectively.

### Keywords:

authentic leadership,  
job satisfaction,  
job involvement,  
central organization of  
Islamic Azad  
University

**Please cite this article as (APA):** Asgari, M. H. (2023). Investigating the effect of authentic leadership on employee job satisfaction with emphasis on the mediating role of job conflict. *Management and Educational Perspective*, 4(4), 161-183.

**Publisher:** Iranian Business Management Association

<https://doi.org/10.22034/jmep.2023.314242.1078>



**Corresponding Author:** Mohammad Hadi Asgari

<https://dorl.net/dor/20.1001.1.27169820.1401.4.4.8.5>



**Email:** dr\_mh\_asgari@yahoo.com

**Creative Commons:** CC BY 4.0



## Extended Abstract

### Introduction

Today, the importance of job satisfaction is a well-known and self-evident matter, and it is also a matter of concern in human resources management. Paying attention to this factor shows the importance that managements attach to human resources as one of the valuable capitals (Kiani & Nazari, 2022). It should be stated that employee satisfaction is the most important concern of leadership in organizations, and the requirement for successful leadership is that the manager pays primary attention to employee satisfaction programs, which include leadership methods and programs designed to change the role of employees. Changing the role of employees is important, because in today's era, the purpose of the university is not merely transfer of the cultural heritage and human experiences to the new generation; and to creation of favorable changes in the attitudes, cognitions and ultimately the behavior of people has a special position in it (Zavvar et al., 2021). The employees of the organization are one of the key and important elements of the higher education system, which must have the necessary competencies and qualifications to be able to undertake this important job (Rajabzadeh et al., 2015). Employees must have the necessary knowledge and skills, and be able to perform and apply them, and it is necessary for teachers to be motivated and work with motivation to achieve high job performance and have the necessary satisfaction. Creating satisfaction in employees causes their individual success to affect the overall effectiveness of the university, which employee satisfaction and then increasing the efficiency of the university depends on the role of managers within the organization, meanwhile, the key feature of a first-rate university is the presence of outstanding managers (Mousavi et al., 2020). Therefore, creating job satisfaction in employees is a very important matter that should be created in different ways. One of these methods is the institutionalization of managerial skills of managers. The way of managers' performance in applying the three-type management skill will attract the attention of the employees toward this matter, and the optimum of these skills will lead to the formation of job satisfaction in employees. On the other hand, the reasons for carrying out the research in order to eliminate the existing gaps can be examined from several aspects: the concept of employee job satisfaction in the literature of human relations and organizational behavior is so important that researchers from different angles have examined the predictors of this key structure in the realization of the organization. Job satisfaction is the feeling that a person has towards his profession (Abdullah, 2019). Another fundamental factor in improving the job performance of employees is the level of their job involvement. Job involvement is an important variable attitude in maximizing organizational effectiveness. Job involvement mainly includes job satisfaction, ability, dedication and attachment. Power indicates a high level of energy, psychological flexibility while working, the desire to spend effort in one's work and different in facing problems (Ziaei et al, 2015). High job involvement indicates the experience of the feeling of meaningfulness, enthusiasm, honor, being immersed in work and having a pleasant feeling towards work. In this situation, over time, a person becomes attached to his job (Braganza et al, 2021). People with low job involvement are usually at a higher level in terms of job burnout, psychopathy and extroversion. Job involvement is related with job resources including social support from colleagues and supervisors, performance feedback, leadership, job control, task variety, learning and growth opportunities, and training facilities. In addition, employees with high job involvement attach more importance to the job (Taştan & Türker, 2018). Therefore, conducting studies that examine the factors affecting the level of employee satisfaction is of great importance and necessity, and since the review of the research background shows that so far, a study that examines the effect of managers' managerial skills on employees' satisfaction with the role of managers has not been available to the researcher;



therefore, the present research is a new work in this field and its results will solve the existing research gap in this field. According to the stated content and the statement that improving the quality of education and performance of the university depends on the knowledge and perception of managers and employees about their role, and the way managers work can affect various factors regarding employees, including their satisfaction as a member of the country's educational organization, therefore, according to the theoretical and research bases mentioned, this research tries to answer the question whether authentic leadership has a significant effect on the job satisfaction of employees by emphasizing the mediating role of university employees' job conflict?

## Theoretical framework

### Job conflict

Job involvement refers to positive psychological conditions in a person that prompts him to be actively involved in his role and his organization. Harter et al (2003) defined employee involvement as a combination of emotional and cognitive variables in the work environment; including satisfaction, happiness, prosperity and positive thinking (Tabatabai Adnan et al, 2021).

### Authentic leadership

Authentic leadership is a social process that organizes all human, financial and technological resources by using human, conceptual, specialized and artistic, scientific and experimental skills; and realizes the goals and policies of the organization through the material and spiritual needs of the employees (Fadaei, 2017). According to Falath (1989), the term authentic leadership refers to the activities that managers perform or assign to others to increase employee learning. Authentic leadership places a high priority on improving the quality of performance, and tries hard to realize this vision (Mousavi Jahromi et al, 2018). The basic task of authentic leadership is to improve the learning situation. If someone in the position of authentic leadership cannot be effective in improving quality, his existence in this position cannot be defended and justified. In fact, the purpose of several decades of research on leadership, which has been associated with the creation of many theories, models and scales, is to increase our understanding of how leadership can lead to the best organizational results (Jafari & Rezaiee, 2018).

### Job satisfaction

If the satisfaction of the employees increases, the quality of education, the efficiency of the higher education system, the saving of educational costs and the optimal use of time and educational facilities, and etc. will increase, and in general, the efficiency and effectiveness of the educational system will increase (Adli & Motallebi Varkani, 2018).

In a research, Zovar et al. (2022) investigated the mediating role of managers' creativity in the relationship between participatory management and their social responsibility with teachers' job satisfaction, and showed that collaborative management and managers' creativity have a direct and significant effect on teachers' job satisfaction, but social responsibility of managers do not have a direct and significant effect on teachers' job satisfaction, and the role of creativity as a mediating variable was confirmed (Zavvar et al, 2021).

In a research, Mousavi and Shirzadi (2019) investigated the impact of school administrators' social capital on teachers' job satisfaction, and showed that the structural dimension has the greatest impact on teachers' job satisfaction (Mosavi & Shirzadi, 2019).

Abdullah (2019) in the study of teachers' satisfaction with the perceived leadership of principals showed that there is a relatively strong correlation between the principal's perceived

leadership style and the overall satisfaction of teachers, and the satisfaction of female primary school teachers was higher compared to that of the male teachers (Abdullah, 2019)..

### **Methodology**

The research method is descriptive-correlative in nature, and practical in terms of purpose. The statistical population of the research was made up of managers and employees of the central organization of Islamic Azad University as many as 311 people (36 managers and 275 employees). The size of the research sample for employees was determined 160 people based on Cochran's formula. A simple random sampling method was used in order to give an equal chance to all of the statistical sample members of the teachers. The census method was used to collect the managers' information due to the limited statistical population. Based on this, the sample size of the managers was 36 people. Out of the total number of distributed questionnaires, 158 questionnaires were received from employees and 35 questionnaires from managers. The return rate of questionnaires related to employees was 99% and for managers was 97%. Library and field methods were used to collect data.

### **Discussion and Results**

The main hypothesis analyzes the mediating role of job involvement in the influence of authentic leadership on job satisfaction. The results showed that the strength of the direct relationship between authentic leadership on job satisfaction was calculated to be equal to (0.48), which shows that the correlation is favorable. The strength of indirect authentic leadership on job satisfaction, with regard to the mediating role of job involvement is equal to (0.51). The results related to the first sub-hypothesis showed that the strength of the influence of authentic leadership on job involvement was calculated equal to (0.67), which shows that the correlation is favorable. The significance statistic of the test was also obtained (7.65), which was more than the critical value of  $t$  at the 5% error level, i.e. (1.96), and it shows that the observed correlation is significant. The results related to the second sub-hypothesis showed that the strength of the impact of job involvement on job satisfaction was calculated equal to (0.76), which shows that the correlation is favorable. The significance statistic of the test was also obtained (8.74), which was more than the critical value of  $t$  at the 5% error level, i.e. (1.96), and it shows that the observed correlation is significant. The results related to the third hypothesis showed that the strength of the influence of authentic leadership on job satisfaction was calculated equal to (0.48), which shows that the correlation is favorable. The significance statistic of the test was also obtained (5.46), which was more than the critical value of  $t$  at the 5% error level, i.e. (1.96), and it shows that the observed correlation is significant.

### **Conclusion**

The purpose of this research was to investigate the effect of authentic leadership on the job satisfaction of employees, emphasizing the mediating role of job involvement among employees of the central organization of Islamic Azad University.

The main hypothesis analyzes the mediating role of job involvement in the influence of authentic leadership on job satisfaction. The results showed that the strength of the direct relationship between authentic leadership on job satisfaction was calculated to be equal to (0.48), which shows that the correlation is favorable. The strength of indirect authentic leadership on job satisfaction, with regard to the mediating role of job involvement is equal to (0.51). Due to the fact that the power of the indirect path is greater than the direct path, therefore the existence of the variable of job involvement increases the power of influence and the mediating role of this variable is confirmed. In this regard, it can be said that an



authentic leader with the variables such as self-awareness, relational transparency, balanced processing and internalized moral framework can give employees the confidence that he possesses a calculated behavior (Corriveau, 2020). Self-awareness and relational transparency convey that the authentic leader tries to acquire a correct recognition about himself, his moods, and his thoughts on one hand; and he is aware of the thoughts and moods of the employees and the environment on the other. As a result, he probably creates the confidence that he has as much correct information as possible. Balanced processing can ensure this confidence that the authentic leader will not have an unbalanced view as much as possible and will not make an unreasonable decision (Amiri, 2017). It is expected that the employees of the organization will have higher motivation and ability and their job success will improve. These results are in line with the results of the research findings of Nik Del Makki (2019).

The results related to the first sub-hypothesis showed that the strength of the influence of authentic leadership on job involvement was calculated as equal to (0.67), which shows that the correlation is favorable. The results of the second sub-hypothesis showed that the strength of the effect of job involvement on job satisfaction has been calculated to be (0.76), which shows that the correlation is favorable. Also, the results related to the third hypothesis showed that the power of authentic leadership on job satisfaction has been calculated equal to (0.48), which shows that the correlation is favorable. It can be said that authentic leadership has a positive and significant effect on job satisfaction. In this regard, it can be said that authentic leaders are people who have achieved self-knowledge and are aware of their thoughts and behavior. They are very hopeful, flexible and have a very moral personality (Bahmani, 2017). These results are in line with these research findings: Rajabzadeh et al, (2015), Call & Ployhart (2021), Rajabzadeh et al, (2015), and Wang et al, (2018). In this regard, the following suggestions can be made:

Organizations that are interested in raising the indicators of authentic leadership in their managers can teach the concepts of authentic leadership and the importance of paying attention to them by holding workshops. For more impact and expansion, it is suggested that this training starts from the higher levels of the organization. One of the effective mechanisms of authentic leadership is the creation of a common identity between the leader and the team members. The leader should pay attention that the more he can align the values and beliefs of his team members with the values and beliefs of himself and the organization, the more common identity and as a result more common emotional trust is created. This view in managers will be created that the reason for the existence of organizations in the first stage is the employees and in fact they are the ones who determine what organizational performance will be in front of the organization. Employees are the first step of managers in fulfilling organizational obligations.



# بررسی تأثیر رهبری اصیل بر خشنودی شغلی کارکنان با تأکید بر نقش میانجی درگیری شغلی

محمد هادی عسگری<sup>۱</sup> ID

۱- استادیار گروه مدیریت بازرگانی، واحد تنکابن، دانشگاه آزاد اسلامی، تنکابن، ایران. رئیس انجمن مدیریت کسب کار ایران

## چکیده

مطالعه حاضر با هدف بررسی تأثیر رهبری اصیل بر خشنودی شغلی کارکنان با تأکید بر نقش میانجی درگیری شغلی انجام شد. روش این مطالعه از نوع توصیفی-پیمایشی بود. جامعه آماری پژوهش کارکنان و مدیران سازمان مرکزی دانشگاه آزاد اسلامی به تعداد ۳۱۱ نفر (۲۷۵ نفر کارمند و ۳۶ نفر مدیر) بودند که از این تعداد، ۱۵۸ نفر بر اساس فرمول کوکران و به روش نمونه‌گیری تصادفی ساده به عنوان حجم نمونه کارکنان انتخاب شدند. در جمع‌آوری اطلاعات مدیران از روش سرشماری به دلیل محدود بودن جامعه آماری استفاده شد. جهت گردآوری داده‌ها از پرسشنامه‌های استاندارد درگیری شغلی لاداهل و کنجر (۱۹۶۵) با ضریب پایایی (۰٫۸۵)، خشنودی شغلی مینه سوتا با ضریب پایایی (۰٫۸۸) و رهبری اصیل والومبا و همکاران (۲۰۰۸) با ضریب پایایی (۰٫۹۰) استفاده شد که روایی آنها توسط صاحب‌نظران دانشگاهی و پایایی آنها نیز از طریق آزمون ضریب آلفای کرونباخ مورد تأیید قرار گرفت. به منظور تحلیل داده‌ها از تکنیک معادلات ساختاری با استفاده از نرم افزار آماری LISREL و Spss ویرایش ۲۲ استفاده شد. یافته‌های کمی حاصل از آزمون فرضیه‌های پژوهش نشان داد که رهبری اصیل بر درگیری شغلی و خشنودی شغلی کارکنان تأثیر مثبت و معناداری دارد. درگیری شغلی بر خشنودی شغلی کارکنان تأثیر مثبت و معناداری دارد. درگیری شغلی در تأثیرگذاری رهبری اصیل بر خشنودی شغلی نقش میانجی داشته است. نتایج پژوهش نیز نشان داد که مؤلفه‌های شفافیت در روابط، پردازش متوازن، جنبه‌های درونی و خودآگاهی به ترتیب دارای بیشترین قدرت تأثیر بر درگیری شغلی و خشنودی شغلی بوده‌اند.

تاریخ دریافت: ۱۴۰۱/۰۸/۱۸

تاریخ بازنگری: ۱۴۰۱/۰۳/۲۵




تاریخ پذیرش: ۱۴۰۱/۰۶/۲۲

تاریخ انتشار آنلاین: ۱۴۰۱/۱۱/۲۱

## کلید واژه‌ها:

رهبری اصیل،  
خشنودی شغلی،  
درگیری شغلی،  
سازمان مرکزی دانشگاه آزاد  
اسلامی

لطفاً به این مقاله استناد کنید (APA): عسگری، محمد هادی. (۱۴۰۱). بررسی تأثیر رهبری اصیل بر خشنودی شغلی کارکنان با تأکید بر نقش میانجی درگیری شغلی. فصلنامه مدیریت و چشم انداز آموزش، ۴(۴)، ۱۶۱-۱۸۳.

	<a href="https://doi.org/10.22034/jmep.2023.314242.1078">https://doi.org/10.22034/jmep.2023.314242.1078</a>	ناشر: انجمن مدیریت کسب و کار ایران
	<a href="https://dorl.net/dor/20.1001.1.27169820.1401.4.4.8.5">https://dorl.net/dor/20.1001.1.27169820.1401.4.4.8.5</a>	نویسنده مسئول: محمد هادی عسگری
	Creative Commons: CC BY 4.0	ایمیل: dr_mh_asgari@yahoo.com

## مقدمه

دانشگاه مهم ترین نهاد اجتماعی برآمده از متن جامعه و در عین حال سازنده و تکامل دهنده آن است و تأثیر آن در پیشرفت جامعه، امری کاملاً محسوس است. نقش دانشگاه در هر کشور و جامعه‌ای از جنبه‌های مختلف حائز اهمیت فراوان بوده است و عملکرد نظام دانشگاه نه تنها از نظر پیشرفت اقتصادی، فرهنگی و اجتماعی مهم است، بلکه از نظر تأثیری که بر خشنودی شغلی و انتظارات دارد، از اهمیت تعیین کننده‌ای برخوردار است (Niasati & Taheri, 2020). یکی از وظایف مدیران سازمان‌ها، توجه به علایق و تمایلات کارکنان و فراهم کردن شرایط و امکانات مناسب برای افزایش خشنودی و رغبت برای انجام دادن کار سازمانی است. یکی از راه‌های مؤثر ایجاد انگیزه، تنظیم و تعیین اهداف مشخص و قابل دسترس، شناخت نیازهای متفاوت فردی و سازمانی و هماهنگ کردن رفتار کارکنان با اهداف دانشگاه است (Besharati, 2022).

امروزه اهمیت رضایتمندی در کارکرد، امری شناخته شده و بدیهی است و موضوع مورد توجه در مدیریت نیروی انسانی نیز است. توجه به این عامل بیانگر میزان اهمیتی است که مدیریت‌ها برای نیروی انسانی به‌عنوان یکی از سرمایه‌های ارزشمند قائل هستند (Kiani & Nazari, 2022). باید بیان نمود که رضایت کارکنان مهمترین دغدغه رهبری در سازمان‌ها است و لازمه رهبری موفق این است که مدیر توجه اولیه را بر برنامه‌های خشنودسازی کارکنان قرار دهد که شامل روش‌های رهبری و برنامه‌های طراحی شده برای تغییر عملکرد نقش کارکنان است. تغییر عملکرد نقش کارکنان حائز اهمیت است، چراکه در عصر حاضر، هدف از دانشگاه تنها انتقال میراث فرهنگی و تجارب بشری به نسل جدید نیست و ایجاد تغییرات مطلوب در نگرش‌ها، شناخت‌ها و در نهایت رفتار انسان‌ها، در آن جایگاه ویژه‌ای دارد (Zavvar et al., 2021). کارکنان سازمان یکی از عناصر کلیدی و مهم نظام آموزش عالی است که باید دارای شایستگی‌ها و صلاحیت‌های لازم باشد تا بتواند این شغل مهم را بر عهده بگیرد (Rajabzadeh et al., 2015). کارکنان باید دانش و مهارت‌های موردنیاز را دارا باشد و قادر به انجام و کاربرد آنها نیز باشد و لازم است که معلمان برای کسب عملکرد شغلی بالا برانگیخته شوند و با انگیزه کار کنند و خشنودی لازم را داشته باشند. ایجاد خشنودی در کارکنان باعث تأثیرگذاری موفقیت فردی آنها بر اثربخشی کلی دانشگاه می‌شود که خشنودی کارکنان و به دنبال آن افزایش کارایی دانشگاه، به نقش مدیران درون سازمان بستگی دارد و در این میان ویژگی کلیدی دانشگاه تراز اول، وجود مدیران برجسته است (Mousavi et al., 2020).

بنابراین ایجاد خشنودی شغلی در کارکنان امری بسیار مهم می‌باشد که باید از طرق مختلف ایجاد شود. یکی از این روش‌ها نهادینه سازی مهارت‌های مدیریتی مدیران می‌باشد. نحوه عملکرد مدیران در بکارگیری مهارت‌های سگانی مدیریتی باعث توجه کارکنان به این مقوله شده و نتایج مطلوب از این مهارت‌ها باعث شکل گیری خشنودی شغلی در کارکنان خواهد شد. از طرفی دلایل اجرای پژوهش در استای رفع خلاءهای موجود را از چند جنبه می‌توان بررسی نمود: مفهوم خشنودی شغلی کارکنان در ادبیات روابط انسانی و رفتار سازمانی آن چنان حائز اهمیت است که محققان از زوایای مختلف، پیش بینی کننده‌های این سازه کلیدی در تحقق سازمان را مورد بررسی قرار دادند. خشنودی شغلی احساسی است که شخص نسبت به حرفه خود دارد (Abdullah, 2019). این احساس از عوامل مهم موفقیت بوده و عاملی است که موجب افزایش بهره‌وری، کارآیی و نیز احساس خشنودی فرد می‌شود. نتایج مطالعات نشان می‌دهد

کسانی که از خشنودی شغلی برخوردارند، کارآیی بیشتری دارند و در حرفه خود به مدت طولانی باقی می‌مانند. مسلماً، خشنودی شغلی عامل مؤثر و مهمی در بقا، علاقه، رشد و افزایش کارآیی شخص در یک حرفه است و زمانی این پدیده حاصل می‌شود که میزان قابل توجهی از نیازهای فرد در شغلش برآورده شود (Munir & Iqbal, 2018). یکی دیگر از عوامل بنیادین در بهبود عملکرد شغلی کارکنان میزان درگیری شغلی آن‌ها می‌باشد. درگیری شغلی، بعنوان نگرش متغیر مهمی در به حداکثر رساندن اثربخشی سازمانی است. درگیری شغلی به طور عمده شامل رضایت از کار، توان، فداکاری و دلبستگی می‌باشد. توان، گویای سطح بالای انرژی، انعطاف پذیری روانی در حین کار کردن، میل به صرف تلاش در کار خود و متفاوت در رویارویی با مشکلات است (Ziaei et al, 2015). درگیری شغلی بالا نشان دهنده تجربه احساس معناداری، اشتیاق، افتخار و غرق شدن در کار و احساس خوشایند نسبت به کار است. در این وضعیت با گذشت زمان فرد به شغل خود دلبستگی پیدا می‌کند (Braganza et al, 2021). افرادی که درگیری شغلی پایین دارند معمولاً از نظر فرسودگی شغلی، روان رنجوری و برونگرایی در سطح بالاتری هستند. درگیری شغلی با منابع شغلی از جمله حمایت اجتماعی از همکاران و ناظران، بازخورد عملکرد، رهبری، کنترل شغلی، تنوع وظیفه، فرصت یادگیری و رشد و تسهیلات آموزش مرتبط است. علاوه بر این کارکنان با درگیری شغلی بالا برای شغل اهمیت بیشتری قائلند (Taştan & Türker, 2018). درگیری شغلی می‌تواند از دو منظر فردی و سازمانی بررسی شود. از منظر سازمانی، درگیری شغلی فعال‌کننده انگیزه کارکنان و مبنایی اساسی برای ایجاد مزیت رقابتی در بازارهای کسب و کار است. از دیدگاه فردی، کلید رشد شخصی و رضایت در محل کار هدایت‌کننده رفتار در نظر گرفته می‌شود (Houle et al, 2022).

بنابراین انجام مطالعاتی که عوامل مؤثر بر سطح خشنودی کارکنان را بررسی می‌نمایند از اهمیت و ضرورت بالایی برخوردار بوده و از آنجایی که بررسی پیشینه تحقیقات انجام شده نشان می‌دهد تاکنون مطالعه‌ای که به بررسی تأثیر مهارت‌های مدیریتی مدیران بر خشنودی کارکنان از نقش مدیران پردازد در دسترس پژوهشگر قرار نگرفته است. بنابراین پژوهش حاضر کاری نو و جدید در این زمینه می‌باشد و نتایج آن سبب رفع شکاف تحقیقاتی موجود در این زمینه می‌گردد. با توجه به مطالب بیان شده و بیان این موضوع که ارتقاء کیفیت آموزش و عملکرد دانشگاه در گرو آگاهی و ادراک مدیران و کارکنان از نقش خود بوده و نحوه عملکرد مدیران می‌تواند بر عوامل مختلفی در خصوص کارکنان از جمله خشنودی آنها به عنوان عضوی از سازمان آموزشی کشور اثرگذار باشد، بنابراین با توجه به مبانی نظری و پژوهشی ذکر شده، در این پژوهش تلاش می‌شود تا به این سؤال پاسخ داده شود که آیا رهبری اصیل بر خشنودی شغلی کارکنان با تأکید بر نقش میانجی درگیری شغلی کارکنان دانشگاه تأثیر معناداری دارد؟

## مبانی نظری پژوهش

### درگیری شغلی

درگیری شغلی<sup>۱</sup> به شرایط روان‌شناختی مثبت در فرد اشاره دارد که وی را به درگیری فعال در نقش و سازمان خود وامی‌دارد. Harter et al (2003) درگیری شغلی کارکنان را ترکیبی از متغیرهای احساسی و شناختی در محیط کار،

<sup>۱</sup> - Job Involvement



از جمله رضایت، شادی، شکوفایی و مثبت اندیشی تعریف کرده‌اند (Tabatabai adnan et al, 2021). Braown(1996). بیان می‌دارد کارکنانی که درگیری شغلی بالایی دارند، شناخت بیشتری از شغلشان را پیدا می‌کنند و این شناخت از کار رضایت شغلی را نیز افزایش می‌دهد. لذا درگیری شغلی به‌طور مثبت انگیزش و تلاش کارکنان را نسبت به میزان بالایی از نقش در عملکرد شغلی را تحت تأثیر قرار می‌دهد (Mehri et al, 2021). کارکنانی که درگیری شغلی بالایی از خود نشان می‌دهند، وظایف کاری بخش خیلی مهمی در زندگی‌شان است و احساس خیلی خوبی درباره خودشان دارند و به‌خوبی مسئولیت‌های شغلشان را انجام می‌دهند. چنین افرادی انگیزه بیشتری برای رفتن به سرکار دارند و دقیقاً سر وقت در محل کار حضور می‌یابند (Yuan & Zhong, 2021). از طرف دیگر افرادی که درگیری شغلی پایینی دارند. انگیزش کمتری برای کار کردن دارند و دیر سر کار می‌آیند. هر دو گروه از دلایل قابل‌بخشی مانند (بیماری، تعطیلات، وقت بیکاری، مشکلات حمل‌ونقل) جهت دیر آمدن به سر کار یا ترک کار استفاده می‌کنند. ولی افرادی که درگیری شغلی بالایی دارند نسبت به افرادی که درگیری شغلی پایینی دارند کمتر به این موارد متوسل شده و کمتر غیبت می‌کنند (Weiss & Zacher, 2022).

Woodvard & Bojovalz (1987) عدم درگیری شغلی را تحت عنوان صرف نظر کردن کارکنان از تغییرات را از منظر روانی تشریح نموده‌اند: یعنی از نظر فیزیکی حاضر و از نظر روانی غایب. زمانی که یکی از کارکنان کاملاً درگیر کارش می‌شود، انرژی و توجه‌شان در راستای نگرش‌هایی از قبیل درگیری شغلی می‌باشد. کارکنان درگیر شده به دارایی سازمان تبدیل شده و احتمالاً به ترک سازمان نمی‌اندیشند (Zardoshtiyani et al, 2015). درگیری شغلی یکی از مؤثرترین ابزار مورد استفاده برای افزایش بهره‌وری کارکنان توسط افزایش تعهد و مشارکت کارکنان در بیشتر مناطق به‌صورت رفتار سازمانی و پژوهش مدیریت منابع انسان مطالعه می‌شود. درگیری شغلی به‌عنوان سنجش درجه‌ای که کارمند در شغلش درگیر می‌شود و در تصمیم‌گیری‌ها شرکت می‌کند تعریف می‌شود. اگر کارکنان قدرت تصمیم‌گیری، مسئولیت و سرعت در کار داشته باشند درگیری شغلی کارکنان افزایش می‌یابد. مفهوم درگیری شغلی برای اولین بار توسط Lodahl & Kejine (1965) معرفی شد، که آن‌ها درگیری شغلی را هویت روان‌شناختی از افراد و کار یا اهمیت کار در نظر افراد تعریف کردند. Kanung (1982) درگیری شغلی را تعهد فردی یا هویت روان‌شناختی فرد با کار تعریف کرده است. (Paullay et al (1994) بر میزانی که شخص از نظر روان‌شناختی با شغلی که سروکار دارد درگیر شده تأکید می‌کند. درگیری شغلی شامل درونی سازی ارزش‌های اصلی درباره اهمیت کار در نظر افراد است (Saeed et al, 2015). پدیدار شدن مفهوم درگیری شغلی همزمان با مطرح شدن روانشناسی مثبت نگر می‌باشد، چراکه از یک سو تعریفی مثبت از سلامت کارکنان ارائه می‌کند و از سوی دیگر به نظر می‌رسد با نتایج مثبت دخیل در موفقیت سازمان نظیر عملکرد کیفی بالا، غیبت پایین و تعهد سازمانی در ارتباط باشد. واژه درگیری شغلی در فرهنگ لغت به معانی مختلفی همچون، نامزد شدن، تعهد، التزام، اشتغال، استخدام و درگیری ترجمه شده است. گافمن معتقد است که افراد در جامعه نقش‌های مختلفی را می‌پذیرند که درگیر شدن در یک نقش را «دلبستگی خودانگیزته»<sup>۱</sup> به نقش و صرف توجه و تلاش فراوان برای اجرای آن تعریف می‌کند. از جمله نقش‌هایی که افراد در جامعه ایفاگر آن می‌باشند، نقش‌هایی است که در سازمان و محیط کاری می‌پذیرند. Kan (1990) اولین کسی بود که این مفهوم را وارد محیط‌های کاری کرد. به

<sup>1</sup> - spontaneous

نظر کان فرد و نقش دارای تعاملات متقابل هستند به طوری که اولاً فرد انرژی خود را برای رفتارهای در نقش صرف کرده (استخدام شخصی<sup>۱</sup>)، ثانیاً خود را درون نقش بیان می کند (بیان شخصی<sup>۲</sup>) (Ziae et al, 2015).

## رهبری اصیل

رهبری اصیل نیازمند داشتن شناخت از توانمندیهای فردی خود و کمک و تشویق کارکنان در راستای بهبود عملکرد آنان است (Iqbal et al, 2018). رهبری اصیل فرآیندی است اجتماعی که با به کارگیری مهارتهای انسانی، مفهومی، تخصصی و هنری، علمی و تجربی کلیه منابع انسانی، مالی و تکنولوژیکی را سازمان دهی و از طریق نیازهای مادی و معنوی کارکنان هدفها و سیاستهای سازمان را محقق می سازد (Fadaei, 2017). از نظر فلاث<sup>۳</sup> (۱۹۸۹) اصطلاح رهبری اصیل به فعالیتهایی اشاره دارد که مدیران برای افزایش یادگیری کارکنان انجام داده یا به دیگران محول می کنند. رهبری اصیل اولویت بالایی برای بهبود کیفیت عملکرد قائل بوده و برای تحقق این چشم انداز سخت تلاش می کند (Mousavi Jahromi et al, 2018). وظیفه اساسی رهبری اصیل عبارت است از بهتر ساختن وضع آموختن است. اگر کسی در مقام رهبری اصیل است نتواند در بهبود کیفیت مؤثر واقع شود وجود او در این مقام قابل دفاع و توجیح نیست. در واقع، مقصود چندین دهه تحقیق در خصوص رهبری که با ایجاد نظریه ها، مدل ها و مقیاس های زیادی همراه بوده است، افزایش درک ما از نحوه آن است که رهبری می تواند به بهترین نتایج سازمانی منجر شود (Jafari & Rezaiee, 2018). به طور کلی چالش های اخلاق و عملکردی مرتبط با شرایط فعلی و شرایط بغرنج محیط کار، نیاز به یک رویکرد نوین رهبری را آشکار ساخته است. این سبک نوین رهبری به موازات روان شناسی مثبت گرا و در تکمیل بحث های مربوط به رهبری و به عنوان رهبری اصیل یاد می شود (Ghane Niya et al, 2015) از دیدگاه رهبران اصیل ارزشها بر اساس اصول عالی اخلاقی و موازین اخلاقی استوار است. آن ها شفاف هستند و به طور آشکار اطلاعات را به اشتراک می گذارند. رهبران اصیل به پیروان خود اهمیت می دهند و از توجهات بالایی برخوردار هستند. سطح صداقت و اعتبار همه این ویژگی ها و رفتارها می تواند به رهبران اصیل کمک کند تا اعتماد پیروان را افزایش دهند (Qiu et al, 2019). رهبری اصیل نوعی از رهبری است که از تئوری روانشناسی مثبت سرچشمه گرفته است. شالوده رهبری اصیل بر مفهوم اصالت پایه گذاری شده است که بیان کنند شرایطی است که افراد، رفتاری مطابق با ارزشها، اعتقادات و فطرت والای انسانی خویش انجام می دهند (Gardner et al, 2021) و تحت شرایط و فشارهای گوناگون، برداشتن رفتاری در راستای ارزشها و باورهای خویش پافشاری می کنند. رهبران اصیل افرادی هستند که به خودشناسی رسیده و از چگونگی رفتار و افکار خود، آگاهی دارند. آن ها مطمئن، امیدوار، خوش بین و منعطف هستند شخصیتی بسیار اخلاقی دارند (Rastegar et al, 2017).

1 - self- Employment

2 - self- Expression

3 - Felas

## خشنودی شغلی

در صورت افزایش خشنودی کارکنان، کیفیت آموزش، کارایی نظام آموزش عالی، صرفه جویی در هزینه‌های آموزشی و استفاده بهینه از زمان و امکانات آموزشی و ... افزایش می‌یابد و در مجموع کارایی و اثر بخشی نظام آموزشی سیر صعودی خواهد داشت (Adli & Motallebi Varkani, 2018). از آنجا که مدیران به دنبال کسب و تحقق اهداف سازمانی هستند، بایستی موارد بسیاری را در راستای تحقق این امر در نظر بگیرند. اینکه خشنودی کارکنان چگونه به دست می‌آید، مساله‌ای است که بسیاری از مدیران حرفه‌ای با آن دست به گریبانند. عوامل متعددی وجود دارد که با ضرایب تأثیر متفاوت، در اشخاص ایجاد خشنودی می‌کند. عدم وجود یک عامل از مجموع این عوامل می‌تواند از شدت خشنودی در فرد بکاهد یا حتی او را در زمره افراد ناراضی از شغل خود قرار دهد. میزان درآمد، وجهه اجتماعی، امکان ارتقای شغلی، احساس تبعیض و میزان آگاهی فرد از ظرفیت شغلی خود و رفتار بالادستان، هریک تأثیر متفاوتی در ایجاد خشنودی در افراد دارد (Marshall, 2015). نیروی انسانی باید اطمینان حاصل کند که خدمات صادقانه و کوشش‌های پیگیرش برای رسیدن به هدف‌های سازمانی، عملاً موجب ارضای تمایلات و نیازهای روانی و جسمانی خود او نیز می‌شود (Moosavi & Shirzadi, 2019).

## پیشینه پژوهش

زوار و همکاران (۲۰۲۱) در پژوهشی نقش میانجی‌گری خلاقیت مدیران در رابطه بین مدیریت مشارکتی و مسئولیت‌پذیری اجتماعی آنان با خشنودی شغلی معلمان را بررسی نمودند و نشان داد که مدیریت مشارکتی و خلاقیت مدیران اثر مستقیم و معناداری بر خشنودی شغلی معلمان دارند اما مسئولیت‌پذیری اجتماعی مدیران اثر مستقیم و معناداری بر خشنودی شغلی معلمان ندارد و نقش خلاقیت به عنوان متغیر میانجی تأیید شد (Zavvar et al, 2021). موسوی و شیرزادی (۲۰۱۹) در پژوهشی به بررسی تأثیر سرمایه اجتماعی مدیران مدارس بر خشنودی شغلی معلمان پرداختند و نشان دادند که بعد ساختاری بیشترین تأثیر را بر خشنودی شغلی معلمان دارد (Moosavi & Shirzadi, 2019). عبدالله (۲۰۱۹) در بررسی خشنودی معلمان از رهبری ادراک شده مدیران نشان داد که یک همبستگی نسبتاً قوی بین سبک رهبری ادراک شده مدیر و خشنودی کلی معلمان وجود دارد و خشنودی معلمان مقطع ابتدایی زن در مقایسه با معلمان مرد بیشتر بود (Abdullah, 2019).

وانگ<sup>۱</sup> و همکاران (۲۰۱۸) نیز در پژوهشی نشان دادند که عوامل انگیزشی مانند چالش در محل کار، شناخت از سوی کارفرما و تقاضای کار و عوامل نگهدارنده مانند تأثیر سیاست خارجی، حمایت سازمانی، روابط مدیران با معلمان، سرپرستان و اتحادیه‌ها تأثیر قابل توجهی بر خشنودی شغلی مدیران دارند و این عوامل بر میزانی که می‌توانند به طور مؤثر در بهبود پیشرفت دانش آموزان و عملکرد مدرسه کمک کنند، تأثیر می‌گذارد (Wang et al, 2018).

دهقان مروستی (۲۰۱۷) در مطالعه خود با عنوان «نقش مدیران آموزشی در ایجاد جو اخلاقی در مدارس و حمایت‌های اجتماعی و رابطه آن با عملکرد سازمانی» نشان دادند که دیدگاه مدیران آموزشی بر جو اخلاقی مدارس اثر می‌گذارد و

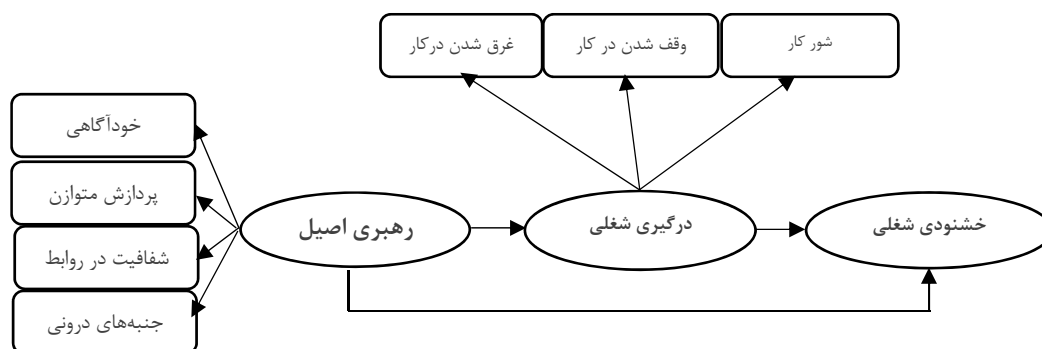
<sup>1</sup> - Abdullah

<sup>2</sup> - Wang

نوع جو اخلاقی ایجاد شده و حمایت‌های اجتماعی مدیران آموزشی و همکاران بر عملکرد سازمانی معلمان نقش تعیین کننده‌ای دارد (Dehghaan Marvasti, 2017).

نتایج پژوهش مارشال<sup>۱</sup> (۲۰۱۵) در بررسی سبک رهبری مدیر و تعهد معلم در بین معلمان دبیرستان باربادوس نشان داد که بین خشنودی معلم و سبک رهبری مدیر که با برنامه‌ریزی، تصمیم‌گیری، ارتباط سازماندهی شده، حمایت شغلی و ارزیابی اندازه‌گیری شده، همبستگی معنی‌داری وجود دارد (Marshall, 2015).

نتایج پژوهش رجب‌زاده و همکاران (۲۰۱۵) نشان داد که درک معلمان از رفتارهای رهبری آموزشی، نگرش آنها نسبت به تغییر و اثربخشی‌شان را به طور معنی‌داری پیش‌بینی می‌کند و متغیر نگرش نسبت به تغییر سازمانی در رابطه بین درک معلمان از رفتارهای رهبری آموزشی و اثربخشی آنها نقش متغیر میانجی ایفا می‌کند (Rajabzadeh et al, 2015). هدف کلی از انجام پژوهش حاضر بررسی تأثیر رهبری اصیل بر خشنودی شغلی کارکنان با تأکید بر نقش میانجی درگیری شغلی در سازمان مرکزی دانشگاه آزاد اسلامی است. مدل مفهومی پژوهش در قالب شکل (۱) ارائه شده است.



شکل ۱: مدل مفهومی پژوهش (Lodahl & Kejnar, 1965)؛ (Walumbwa et al, 2008)؛ (Mnesuta, 1969)

فرضیه‌های پژوهش عبارت است از:

فرضیه اصلی: رهبری اصیل بر خشنودی شغلی کارکنان با تأکید بر نقش میانجی درگیری شغلی تأثیر معناداری دارند. فرضیه‌های فرعی:

۱. رهبری اصیل بر درگیری شغلی کارکنان تأثیر معناداری دارد.
۲. درگیری شغلی بر خشنودی شغلی کارکنان تأثیر معناداری دارد.
۳. رهبری اصیل بر خشنودی شغلی کارکنان تأثیر معناداری دارد.

### روش‌شناسی پژوهش

روش پژوهش به لحاظ ماهیت توصیفی-همبستگی و به لحاظ هدف کاربردی است. جامعه آماری پژوهش را مدیران و کارکنان سازمان مرکزی دانشگاه آزاد اسلامی به تعداد ۳۱۱ نفر (۳۶ نفر مدیر و ۲۷۵ نفر مدیر) تشکیل دادند. حجم نمونه پژوهش برای کارکنان بر اساس فرمول کوکران ۱۶۰ نفر تعیین شد. به جهت اینکه تمامی اعضای نمونه آماری مربوط به

<sup>۱</sup> - Marshall

معلمان شانس مساوی در انتخاب شدن داشته باشند از روش نمونه گیری تصادفی ساده استفاده شد. در جمع آوری اطلاعات مدیران از روش سرشماری به دلیل محدود بودن جامعه آماری استفاده شد. بر این اساس حجم نمونه مربوط به مدیران ۳۶ نفر بوده است. از تعداد کل پرسشنامه‌های توزیع شده، تعداد ۱۵۸ پرسشنامه از کارکنان و ۳۵ پرسشنامه از مدیران دریافت شد. نرخ بازگشت پرسشنامه‌های مربوط به کارکنان ۹۹٪ و مدیران ۹۷٪ بوده است. جهت گردآوری داده‌ها از روش کتابخانه‌ای و میدانی استفاده شد. جهت تعیین روایی ابزار پژوهش از روایی صوری و محتوایی استفاده شد که مورد تأیید قرار گرفت. برای تعیین پایایی ابزارهای پژوهش از ضریب آلفای کرونباخ استفاده شد که در جدول (۱) ارائه شده است. به منظور تجزیه و تحلیل داده‌های گرد آوری شده از روش‌های آماری توصیفی (توصیف فراوانی داده‌ها، درصد فراوانی‌ها، میانگین و انحراف معیار) استفاده شد. همچنین جهت آزمون فرضیه‌های پژوهش، ابتدا از آزمون کولموگروف اسمیرنوف جهت بررسی نرمال بودن توزیع داده‌ها و روش معادلات ساختاری به منظور بررسی میزان تأثیر متغیرهای مستقل و میانجی بر متغیر وابسته با استفاده از نرم افزارهای آماری SPSS و LISREL استفاده شد.

جدول ۱: ضریب آلفای کرونباخ پرسشنامه‌های پژوهش

پرسشنامه	ضریب آلفای کرونباخ
رهبری اصیل	۰/۹۰۳
خشنودی شغلی	۰/۸۸۷
درگیری شغلی	۰/۸۵۳

**درگیری شغلی:** این پرسشنامه بر اساس مدل لاداهل و کنجر (۱۹۶۵) ساخته شده که شامل ۱۴ است. پرسشنامه درگیری شغلی دارای سه مؤلفه شور و حرارت در کار، وقف شدن در کار، غرق شدن در کار است که سؤال‌های ۱ تا ۶ مربوط به مؤلفه شور و حرارت در کار، سؤال‌های ۷ تا ۱۱ مربوط به وقف شدن در کار و سؤال‌های ۱۲ تا ۱۴ مربوط به غرق شدن در کار می‌باشد. پاسخ به هر یک از سؤال‌ها در یک طیف ۵ گزینه‌ای مشخص شده است. امتیازات به ترتیب گزینه‌ها از ۱ تا ۵ کاملاً موافقم، موافقم، تا حدی موافقم، مخالفم، کاملاً مخالفم در نظر گرفته شده است. شجاعی فر (۱۳۷۹)، روایی پرسشنامه درگیری شغلی را مناسب و قابل قبول و پایایی آن را به روش آلفای کرونباخ، ۰/۸۷ ذکر کرده است (Ziae&etal,2015).

**خشنودی شغلی:** جهت تحلیل متغیر خشنودی شغلی از پرسشنامه خشنودی شغلی مینه سوتا استفاده شده است. پرسشنامه خشنودی شغلی مینه سوتا (MSQ) از ۶ گویه تشکیل شده است که به منظور سنجش خشنودی شغلی بکار می‌رود. نمره گذاری پرسشنامه خشنودی شغلی مینه سوتا بصورت طیف لیکرت می‌باشد که برای گزینه‌های «کاملاً مخالفم»، «مخالفم»، «نظری ندارم»، «موافقم» و «کاملاً موافقم» به ترتیب امتیازات ۱، ۲، ۳، ۴ و ۵ در نظر گرفته می‌شود. پایایی پرسشنامه خشنودی شغلی مینه سوتا با استفاده از آزمون آلفای کرونباخ ۰/۸۶ بدست آمده است. همچنین روایی پرسشنامه خشنودی شغلی مینه سوتا توسط اساتید دانشگاه تأیید شده است. در پژوهش بختیار نصرآبادی و همکاران



(۱۳۸۸)، ضریب پایایی پرسشنامه خشنودی شغلی مینه سوتا از طریق فرمول آلفای کرونباخ ۰/۹۲ بدست آمد که نشانه‌ی پایایی بالای اندازه گیری مورد استفاده در این پژوهش می‌باشد. همچنین در پژوهش بختیار نصرآبادی و همکاران (۱۳۸۸) به منظور اندازه گیری روایی صوری و محتوایی پرسشنامه خشنودی شغلی مینه سوتا در اختیار استادان راهنما و مشاور و سایر استادان صاحب نظر در رشته مدیریت و روانشناسی علوم تربیتی دانشگاه اصفهان قرار گرفت. پس از دریافت نظرها و اصلاح برخی موارد، پرسشنامه به مورد اجرا گذاشته شد (Hessam Amiri, 2020).

**رهبری اصیل:** در سال ۲۰۰۸، والومبا با همکاری اولیو، گاردنر، ورنسینگ و پترسون، به ساخت و اعتباریابی پرسشنامه رهبری اصیل پرداختند. این پرسشنامه شامل ۱۲ آیتم و چهار بعد خودآگاهی، شفافیت در روابط، جنبه‌های درونی، پردازش متوازن می‌باشد. گویه‌های پاسخ دهی به پرسشنامه بر اساس مقیاس پنج گویه ای لیکرت (کاملاً مخالفم، مخالفم، نظری ندارم، موافقم، کاملاً موافقم) و شیوه نمره گذاری آن نیز به ترتیب از صفر تا چهار می‌باشد. بررسی ساختار عاملی پرسشنامه ۱۲ ماده‌ای والومبا و همکاران (۲۰۰۸) که در دو مطالعه مجزا در آمریکا و چین انجام گرفت، حاکی از آن بود که بار عاملی گزاره‌های پرسشنامه در مطالعه چین در دامنه ۰/۶۲ تا ۰/۷۴ بود و در مطالعه آمریکا، بار عاملی این گزاره‌ها در دامنه بین ۰/۶۶ تا ۰/۸۷ گزارش شد. البته در هر دو مطالعه تمام بارهای عاملی در سطح ۰/۰۱ معنادار بودند. پایایی کلی مقیاس رهبری اصیل نیز در پژوهش جیالوناردو و همکاران (۲۰۱۰) بر اساس ضریب آلفای کرونباخ ۰/۹۱ گزارش شد (Monsef, 2019).

### یافته‌های پژوهش

آمار توصیفی مربوط به اطلاعات جمعیت شناختی نشان داد که از میان تعداد ۱۵۸ نفر کارمند، تعداد ۵۶ نفر زن و تعداد ۱۰۲ نفر مرد بوده‌اند. از این تعداد ۱۰۷ نفر دارای مدرک کارشناسی و ۵۱ نفر دارای مدرک کارشناسی ارشد و بالاتر بودند. تعداد ۸۴ نفر دارای سابقه کاری بین ۱۰-۱ سال، تعداد ۵۶ نفر دارای سابقه کاری بین ۲۰-۱۱ سال و تعداد ۱۸ نفر دارای سابقه کاری بین ۳۰-۲۱ سال بودند. از طرفی از میان تعداد ۳۵ نفر مدیر، تعداد ۷ نفر زن و تعداد ۲۸ نفر مرد بوده‌اند. از این تعداد ۴ نفر دارای مدرک کارشناسی و ۳۱ نفر دارای مدرک کارشناسی ارشد و بالاتر بودند. تعداد ۸ نفر دارای سابقه کاری بین ۱۰-۱ سال، تعداد ۲۲ نفر دارای سابقه کاری بین ۲۰-۱۱ سال و تعداد ۵ نفر دارای سابقه کاری بین ۳۰-۲۱ سال بودند.

مشخصه‌های آمار توصیفی و آزمون آزمون کولموگروف-اسمیرنوف متغیرهای پژوهش در جدول (۲) نشان داده شده است.

جدول ۲: آمار توصیفی و آزمون کولموگروف-اسمیرنف متغیرهای پژوهش

متغیر	نماد	میانگین	انحراف معیار	KM	سطح معناداری	وضعیت
رهبری اصیل	CS	۳/۸۵	۰/۶۹	۱/۱۶۴	۰/۱۳۳	نرمال
خشنودی شغلی	MD	۴/۱۴	۰/۶۰	۰/۹۶۷	۰/۳۰۷	نرمال
درگیری شغلی	BH	۴/۱۳	۰/۵۷	۱/۲۷۲	۰/۰۷۹	نرمال

جدول (۲) نشان می‌دهد میانگین تمامی مولفه‌ها بالاتر از عدد ۳ می‌باشد و از آنجایی که در طیف ۵ گزینه‌ای که انتخاب شده میانگین بالاتر از ۳ نشان‌دهنده موافق بودن وضعیت آن متغیر در جامعه آماری فوق می‌باشد از این رو این عامل نشان-دهنده موافق بودن پاسخ‌دهندگان با این مؤلفه می‌باشد. مطابق اطلاعات جدول (۲) سطح معناداری آزمون کولموگروف-اسمیرنف برای همه متغیرها مورد مطالعه بیشتر از ۰/۰۵ می‌باشد. لذا نتیجه آزمون برای هیچ یک از متغیرها معنی دار نیست و در نتیجه توزیع همه متغیرها نرمال می‌باشد، بنابراین می‌توان از آزمون‌های پارامتریک برای آزمودن فرضیه‌های پژوهش استفاده کرد.

به منظور بررسی پایایی مدل سنجش از روایی همگرا<sup>۱</sup> و روایی افتراقی<sup>۲</sup> به روش‌های تحلیل عاملی تاییدی و میانگین واریانس استخراج شده<sup>۳</sup> استفاده شده است. روش تاییدی هماهنگی داده‌ها با یک ساختار عاملی معین را بررسی می‌نماید.

جدول ۳: بارهای عاملی متغیرهای پژوهش

سازه‌ها	سؤال	بار عاملی	آماره تی	میانگین	پایایی ترکیبی	ضریب پایایی	ضریب آلفای کرونباخ
رهبری اصیل	۱	۰,۹۱	۴۵,۴۵	۰,۶۳۴	۰,۹۲۳	۰,۹۱۰	۰,۹۰۳
	۲	۰,۹۱	۴۳,۹۳				
	۳	۰,۹۶	۸,۷۱				
	۴	۰,۹۸	۳,۹۴				
	۵	۰,۸۸	۸,۰۷				
	۶	۰,۸۸	۴,۰۱				
	۷	۰,۹۱	۳,۰۱				
	۸	۰,۹۲	۳,۶۱				

<sup>1</sup> Convergent Validity

<sup>2</sup> Discriminant Validity

<sup>3</sup> Average Variance Extracted (AVE)

					۳,۶۰	۰,۹۵	۹
					۵۵,۳۲	۰,۸۹	۱۰
					۵۷,۷۶	۰,۸۸	۱۱
					۷۲,۱۷	۰,۸۷	۱۲
					۱۷۰,۹۷	۰,۹۸	۱۳
					۱۶۱,۳۷	۰,۹۸	۱۴
					۱۶۲,۶۴	۰,۹۷	۱۵
۰,۸۵۳	۰,۸۹۱	۰,۸۹۸	۰,۶۸۸		۲۷۹,۵۸	۰,۹۸	۱۶
					۱۹۶,۷۱	۰,۹۸	۱۷
					۶,۰۷	۰,۸۰	۱۸
					۴۶,۵۶	۰,۹۲	۱۹
					۴,۴۸	۰,۸۴	۲۰
					۱۱,۸۱	۰,۸۵	۲۱
					۴,۲۰	۰,۷۹	۲۲
					۴۶,۵۴	۰,۹۱	۲۳
					۶۹,۳۷۶	۰,۹۲	۲۴
					۶,۷۹	۰,۸۲	۲۵
۰,۸۵۴	۰,۸۷۰	۰,۸۹۷	۰,۶۳۸		۵,۳۹	۰,۸۰	۲۶
					۴۹,۹۶	۰,۹۲	۲۷
					۶۷,۱۲	۰,۹۲	۲۸
					۱۱۸,۹۴	۰,۹۶	۲۹
					۱۰۱,۷۳	۰,۹۵	۳۰
					۱۶,۶۷	۰,۸۱	۳۱
					۱۵,۹۵	۰,۸۰	۳۲

خشنودی شغلی

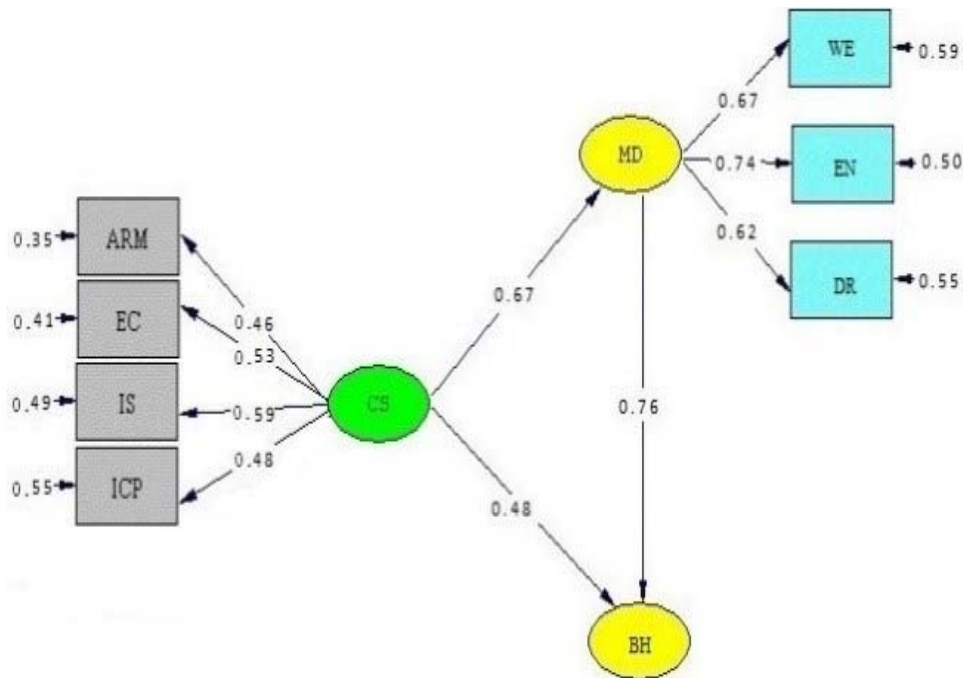
درگیری شغلی

همان‌طور که در جدول (۳) مشاهده می‌شود که همه بارهای عاملی در جدول حداقل در سطح ۰/۴ هستند. بنابراین روایی همگرایی داده‌ها در این قسمت به طور کامل مورد تأیید قرار می‌گیرد. همچنین مقدار آماره‌ی تی که در ستون سمت چپ ذکر شده، نشان‌دهنده این است که آیا این متغیر برای سازه متناظر خود، متغیر تأثیرگذاری بوده یا خیر. چنانچه مقادیر این متغیرها بیشتر یا مساوی ۱/۹۶ باشد حاکی از آن است که آن متغیر در سطح اطمینان ۹۵ درصد، برای سازه موردنظر مناسب بوده و در غیر این صورت متغیر تأثیرگذاری نبوده است. همان‌گونه که مشاهده می‌گردد تمامی متغیرها مقادیر بیش از ۱/۹۶ را دارا می‌باشند، که بیان‌کننده تأثیرگذار بودن آن‌ها بر سازه متناظر می‌باشد

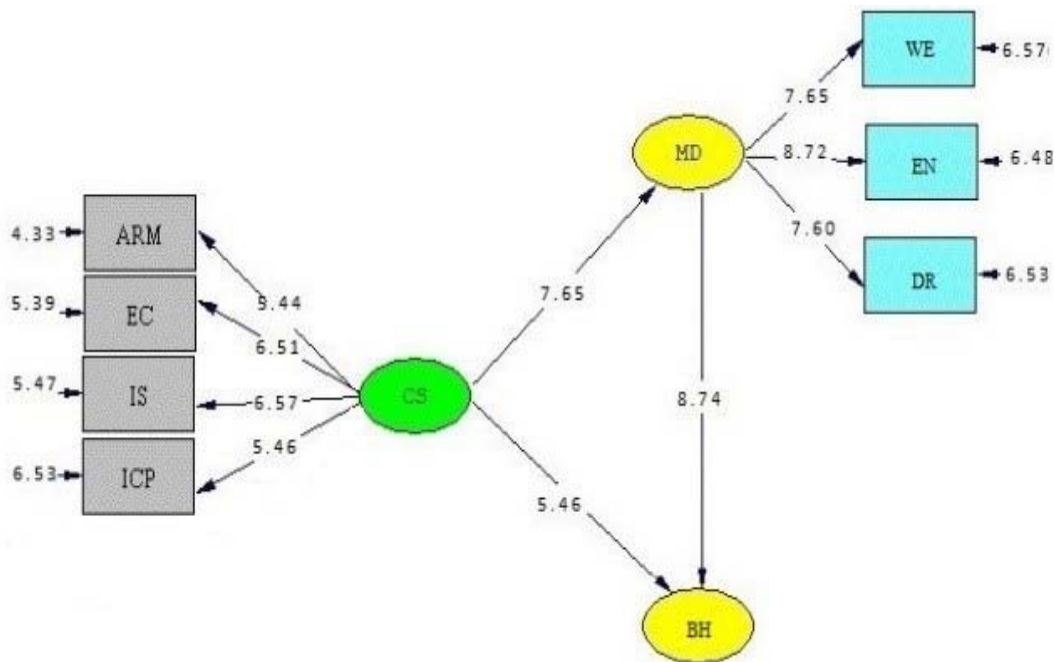
جدول ۴: ضرایب تعیین مدل پژوهش

سازه‌ها	نماد	ضریب تعیین ( $R^2$ )	CV.Red	CV.Com
رهبری اصیل	CS	....	....	۰,۴۳۶
درگیری شغلی	MD	....	....	۰,۵۶۲
خشنودی شغلی	BH	۰,۸۱۶	۰,۳۲۵	۰,۳۵۰

همان طور که در جدول (۴) مشاهده می‌گردد مقادیر ضرایب تعیین برای متغیرهای مکنون مدل، بیان کننده میزان تأثیرپذیری متغیر وابسته از متغیر مستقل است. در حقیقت از مقادیر جدول (۴) استنباط می‌شود که ۸۱۶ درصد از تغییرات سازه خشنودی شغلی به وسیله سازه‌های مد نظر تبیین می‌شود. بررسی مقادیر  $Q^2$  در جدول (۴) نشان می‌دهد که هیچ یک از مقادیر  $Q^2$  منفی نبوده و حداقل مقادیر لازم برای پیش‌بینی، برآورده شده است.



شکل ۲: ضرایب مسیر مدل اصلی پژوهش



شکل ۳: مقادیر آماره تی مدل اصلی پژوهش

### نتیجه گیری

هدف از اجرای پژوهش حاضر بررسی تأثیر رهبری اصیل بر خشنودی شغلی کارکنان با تأکید بر نقش میانجی درگیری شغلی کارکنان سازمان مرکزی دانشگاه آزاد اسلامی بود.

فرضیه اصلی به تحلیل نقش میانجی درگیری شغلی در تأثیر گذاری رهبری اصیل بر خشنودی شغلی پرداخته است. نتایج نشان داد قدرت رابطه مستقیم میان رهبری اصیل بر خشنودی شغلی برابر (۰/۴۸) محاسبه شده است که نشان می دهد همبستگی مطلوب است. قدرت تأثیر غیر مستقیم رهبری اصیل بر خشنودی شغلی با در نظر داشتن نقش میانجی درگیری شغلی برابر (۰/۵۱) می باشد. با توجه به بیشتر بودن قدرت مسیر غیر مستقیم از مسیر مستقیم، بنابراین وجود متغیر درگیری شغلی قدرت تأثیر را افزایش داده و نقش میانجی این متغیر تأیید می شود. در این راستا می توان بیان نمود رهبر اصیل با مؤلفه هایی چون خودآگاهی، شفافیت رابطه، پردازش متوازن و چارچوب اخلاقی درونی شده می تواند این اطمینان را به کارکنان بدهد که رفتاری حساب شده دارد (Corriveau, 2020). خودآگاهی و شفافیت رابطه ای این را می رساند که رهبر اصیل تلاش می کند تا از یک سو شناختی صحیح از خودش، حالاتش و افکارش به دست آورد و از سوی دیگر از افکار و حالات کارکنان و محیط مطلع باشد. در نتیجه احتمالاً این اطمینان را به وجود می آورد که او تا جای ممکن اطلاعات صحیحی دارد. پردازش متوازن می تواند این اطمینان را بدهد که رهبر اصیل تا حد ممکن برداشت نامتوازنی نخواهد داشت و تصمیم نامعقولی نخواهد گرفت (Amiri, 2017). این امر موجب می گردد کارکنان سازمان دارای انگیزش و توانمندی بالاتری بوده و کامیابی شغلی در آنها بهبود خواهد یافت (Nik Del Makki, 2019). آن ها در انجام وظایف محوله با شور و شوق و اشتیاق عمل نموده و در برخورد با مشکلات کاری فردی فرد صبور و بردبار هستند. در این راستا آنها در توسعه عملکرد خود فردی مثبت اندیشی هستند (Darabeigi et al, 2020). این نتایج با یافته های پژوهش (Abdullah, 2019) همسو می باشد.



نتایج مربوط به فرضیه فرعی اول نشان داد قدرت تأثیر رهبری اصیل بر درگیری شغلی برابر (۰/۶۷) محاسبه شده است که نشان می‌دهد همبستگی مطلوب است. آماره معناداری آزمون نیز (۷/۶۵) بدست آمده است که بیشتر از مقدار بحرانی  $t$  در سطح خطای ۵٪ یعنی (۱/۹۶) بوده و نشان می‌دهد همبستگی مشاهده شده معنادار است. بنابراین می‌توان گفت رهبری اصیل بر درگیری شغلی تأثیر مثبت و معناداری دارد. در این راستا می‌توان بیان داشت رهبران اصیل افرادی هستند که به خودشناسی دست یافته‌اند و از چگونگی افکار و رفتار خود آگاهی دارند. آن‌ها بسیار امیدوار، منعطف و شخصیتی بسیار اخلاقی دارند (Bahmani, 2017). رهبر اصیل به عنوان یک الگوی رفتاری رهبر جهت پرورش خودآگاهی، جنبه‌های درونی اخلاقی، پردازش متعادل اطلاعات و شفافیت ارتباط با کارکنان به ترویج و بهبود ظرفیتهای روانشناختی مثبت و ایجاد جو اخلاقی مثبت می‌پردازد (Badri & Nodehi, 2017). با اینکه روند روبه رشد جهانی سازی، رقابت‌های شدید و سرعت سرسام آور تغییرات تکنولوژیک، تلاش‌های رهبران را برای ایجاد یک محیط کاری مناسب رو به رو ساخته است، رهبران با اصالت، می‌توانند از طریق ایجاد جو خوشایند سازمانی مورد نیاز، بازخور دادن به پیشرفت اهداف و بهبود سرمایه‌های روانشناختی مثبت گرا، پاسخگویی کارکنان را در سازمان بهبود دهند (Tooley & Hooks, 2020). به طور کلی سازمانهایی که دارای رهبری اصیل می‌باشند ظرفیتهای روانی مثبت و همچنین جو اخلاقی مثبت بهتری در روابط رهبران با پیروان تجربه می‌کنند. آن‌ها در بررسی انجام وظایف کارکنانشان در تلاشند تا بیشترین مسئولیت پذیری را در آنها ایجاد نموده و پاسخگویی سازمانی را در آنها نهادینه نمایند (Andreus et al, 2014). این نتایج با یافته‌های پژوهش (Wang et al, 2018) همسو می‌باشد.

نتایج مربوط به فرضیه فرعی دوم نشان داد قدرت تأثیر درگیری شغلی بر خشنودی شغلی برابر (۰/۷۶) محاسبه شده است که نشان می‌دهد همبستگی مطلوب است. آماره معناداری آزمون نیز (۸/۷۴) بدست آمده است که بیشتر از مقدار بحرانی  $t$  در سطح خطای ۵٪ یعنی (۱/۹۶) بوده و نشان می‌دهد همبستگی مشاهده شده معنادار است. بنابراین می‌توان گفت درگیری شغلی بر خشنودی شغلی تأثیر مثبت و معناداری دارد. در این راستا می‌توان بیان داشت مادامی که کارکنان در محیط کاری خود با صرف انرژی و توانمندیهای خود بتوانند اهداف سازمانی را دست یافتنی نمایند و عملکرد ویژه‌ای را به نمایش گذارند، این احساس را خواهند داشت که از حداکثر توانمندی‌های آن‌ها در جهت انجام وظایف محول شده استفاده گردیده و اینکه در محیط کاری خود بعنوان یک کارمند فعال و نمونه شناخته شوند خرسند و شاداب خواهند شد (Call & Ployhart, 2021). این رویه منجر به افزایش تعهد و مسئولیت پذیری کارکنان خواهد شد و این امر باعث درگیری شغلی فرد و نهایتاً بهبود عملکرد آن‌ها می‌شود. بدین لحاظ حجم بالای کاری بر آنها تأثیری نداشته، بلکه میزان رضایت از کار در آنها بالاتر رفته و بهره‌وری آن‌ها بالاتر خواهد رفت. این نتایج با یافته‌های پژوهش (Moosavi & Shirzadi, 2019) همسو می‌باشد.

نتایج مربوط به فرضیه سوم نشان داد قدرت تأثیر رهبری اصیل بر خشنودی شغلی برابر (۰/۴۸) محاسبه شده است که نشان می‌دهد همبستگی مطلوب است. آماره معناداری آزمون نیز (۵/۴۶) بدست آمده است که بیشتر از مقدار بحرانی  $t$  در سطح خطای ۵٪ یعنی (۱/۹۶) بوده و نشان می‌دهد همبستگی مشاهده شده معنادار است. بنابراین می‌توان گفت رهبری اصیل بر خشنودی شغلی تأثیر مثبت و معناداری دارد. در این راستا می‌توان بیان داشت رهبران اصیل می‌دانند که چه کسی هستند، باورهای خود را می‌شناسند و بدان ارزش می‌دهند و بر اساس آن ارزشها و باورها گام برمی‌دارند و در همین

حین، بسیار شفاف و واضح با دیگران در تعاملند (Birjandi, 2017). بعد خودآگاهی مهمترین عنصر و سنگ بنای مهم رهبری اصیل است و به درک نقاط قوت و ضعف فرد و چگونگی ارتباط با دنیای پیرامون شخص اشاره دارد. این بعد اشاره به درک قوتها و ضعفهای فردی و چگونگی ارتباط با دنیای پیرامون رهبر دارد (Biranvand, 2015). بعد پردازش متعادل به این معناست که رهبران اصیل قبل از هرگونه تصمیم گیری ای به تجزیه و تحلیل تمامی اطلاعات مربوط پردازند. ازدیدگاهها و نظرات دیگران جویا می شوند و موقعیتهای موجود را به چالش می کشند (Semedo et al, 2016). پردازش متوازن رهبر را قادر می سازد اطلاعات مربوط به کار خود را اعم از مثبت و یا منفی جمع آوری نماید و به تجزیه و تحلیل اطلاعات قبل از تصمیم گیری پردازد (Mergani, 2017). این نتایج با یافته های پژوهش (Rajabzadeh et al, 2015) همسو می باشد.

در این راستا پیشنهادهای کاربردی زیر قابل طرح است:

سازمانهایی که علاقه مند به بالا بردن شاخصهای رهبری اصیل در مدیران خودشان هستند می توانند با برگزاری دوره های کارگاهی، مفاهیم رهبری اصیل و اهمیت توجه به آنها را آموزش دهند. برای تاثیرگذاری و گسترش بیشتر پیشنهاد می شود این آموزش از سطوح بالاتر سازمان شروع شود. یکی از مکانیزم های اثرگذاری رهبری اصیل ایجاد هویت مشترک میان رهبر و اعضای تیم است. رهبر باید توجه داشته باشد که هر چه بتواند ارزشها و باورهای اعضای تیم خود را با ارزشها و باورهای خود و سازمان همراستا کند. هویت مشترک و در نتیجه اعتماد عاطفی مشترک بیشتری ایجاد می شود. ایجاد این دیدگاه در مدیران که علت وجود سازمانها در مرحله اول کارکنان هستند و در واقع آنها هستند که تعیین می کنند چه عملکرد سازمانی در پیش روی سازمان خواهند بود. پاسخگویی در مقابل کارکنان اولین قدم مدیران در انجام تعهدات سازمانی می باشد. همانند بسیاری از تحقیقات دیگر، مطالعه حاضر نیز دارای برخی از محدودیتها است که به نتایج آن باید با عنایت به محدودیتهاش توجه شود. داده های پژوهش حاضر تنها از کارکنان سازمان مرکزی دانشگاه آزاد جمع آوری شده است. این امر از میزان تعمیم پذیری نتایج پژوهش به دیگر حوزه ها و سازمانها با ویژگیهای متفاوت می کاهد. در نتیجه، براساس تجزیه و تحلیل این مطالعه نمی توان استنتاج گسترده ای کرد؛ بنابراین توصیه می شود پژوهش های مشابهی در جوامع آماری دیگری نیز انجام شود تا قابلیت تعمیم پذیری در طیف گسترده ای از محیطهای سازمانی را افزایش دهد. در ضمن استفاده از پرسشنامه های خود گزارشی به عنوان تنها ابزار سنجش برای جمع آوری داده های پژوهش حاضر محدودیتهای خاص خود را دارد.

## References

- Abdullah, N. A. (2019). Teachers' satisfaction of principal's perceived leadership at elementary level. *Journal of Social Sciences and Interdisciplinary Research (JSSIR)*, 8(1), 21-28.
- Adli, F., & Motallebi Varkani, A. (2018). Seeking to Understand the Schools' Principals of Their Functional and Professional Nature. *Jsa*, 6(2), 19-39. (In Persian).
- Amiri, M. (2017). Investigating the effect of authentic leadership style on the functional success of construction projects with the mediation of personal success and employee happiness. Master's thesis in the field of civil engineering, Sobhan Institute of Higher Education. (In Persian).
- Andreas Michele, Costa Ericka, (2014), Toward an Integrated Accountability Model for Nonprofit Organizations, in Ericka Costa, Lee D. Parker, Michele Andreas (ed.) *Accountability and Social Accounting for Social and Non-Profit Organizations (Advances in Public Interest Accounting, Volume 17)* Emerald Group Publishing Limited, pp.153 – 176

- Aqheli, Sh. (2017). Investigating the moderating role of communication skills on the relationship between empowerment and job performance of first secondary teachers in District 1 of Bandar Abbas. Master's thesis in the field of public administration, Islamic Azad University, Bandar Abbas branch. (In Persian).
- Badri, M., & Nodehi, H. (2017). predicting innovation capabilities based on authentic leadership style in education. *Journal of Innovation and Creativity in Human Science*, 6(3), 125-150. (In Persian).
- Bahmani, F. (2017). Investigating the effect of organizational accountability on financial performance in private banks in Ilam province. Master's thesis in the field of industrial management, Bakhtar Institute of Higher Education, Ilam. (In Persian).
- Besharati, R. (2022). Investigating the factors affecting the job motivation of the employees of the Islamic Azad University of Kashmar branch based on Herzberg's theory of health-motivational factors. *Management and Educational Perspective*, 4(1), 72-89. doi: 10.22034/jmep.2022.330280.1101 (In Persian).
- Biranvand, M. (2015). The effect of authentic leadership style on organizational entrepreneurship. Master's thesis in the field of public administration, Allameh Tabatabai University. (In Persian).
- Birjandi, M. (2017). Examining the relationship between authentic leadership and psychological well-being: the mediating role of work atmosphere (case study: Organization of Industry, Mining and Trade of Semnan province). Master's thesis in the field of human resources management, Islamic Azad University, Shahrood branch. (In Persian).
- Braganza, A., Chen, W., Canhoto, A., & Sap, S. (2021). Productive employment and decent work: The impact of AI adoption on psychological contracts, job engagement and employee trust. *Journal of business research*, 131, 485-494.
- Call, M. L., & Ployhart, R. E. (2021). A theory of firm value capture from employee job performance: A multidisciplinary perspective. *Academy of Management Review*, 46(3), 572-590.
- Corriveau, A. M. (2020). Developing authentic leadership as a starting point to responsible management: A Canadian university case study. *The International Journal of Management Education*, 18(1), 100364.
- Darabeigi, M., iranzechad, P., jahanain, R., & abdolahi, M. (2020). Providing a model for genuine leadership in professors with a humanistic approach in higher education organizations. *Journal of Research in Educational Science*, 14(Special Issue), 137-158. (In Persian).
- Dehghaan Marvasti, S. (2017). The Role of Educational Administrators in Creating a Moral Atmosphere and Social Support, and its Relation with Organizational Performance. *Quarterly Journal of Education*, 32(4), 101-122. (In Persian).
- Fadaei, Mohsen. (2017). Examining the relationship between authentic leadership and the relationship between transformational leadership and employees' feedback behavior. Master's thesis in the field of development management, Sharif University of Technology. (In Persian).
- Gardner, W. L., Karam, E. P., Alvesson, M., & Einola, K. (2021). Authentic leadership theory: The case for and against. *The Leadership Quarterly*, 101495.
- Ghane Niya, M., Arshadi, N., Bashlide, K., & Farvahar, M. (2015). The effectiveness of authentic leadership training of managers on employees psychological capital: An experimental study in a Petrochemical Company. *Iranian journal of management sciences*, 10(38), 98-123. (In Persian).
- Hessam Amiri, S.M. (2020). Investigating the impact of transformational leadership on job performance through the mediation of job satisfaction and job conflict (case study: Zahedan Agricultural Bank). Master's thesis in the field of public administration, Ferdowsi University of Mashhad. (In Persian).
- Houle, S. A., Rich, B. L., Comeau, C. A., Blais, A. R., & Morin, A. J. (2022). The Job Engagement Scale: Development and Validation of a Short Form in English and French. *Journal of Business and Psychology*, 1-20.
- Iqbal, S., Farid, T., Ma, J., Khattak, A., & Nurunnabi, M. (2018). The impact of authentic leadership on organizational citizenship behaviours and the mediating role of corporate social responsibility in the banking sector of Pakistan. *Sustainability*, 10(7), 2170.
- Jafari, M., & Rezaiee, J. (2018). Authentic Leadership: New Approach for Intelligent Hospital. *Management Strategies in Health System*, 2(4), 251-259. (In Persian).

- Kiani, M. S., & Nazari, L. (2022). The effect of job stress on the satisfaction of sports club employees during the Covid epidemic 19. *New Approach in Educational Sciences*, 4(4), 103-111. doi: 10.22034/naes.2022.352527.1256. (In Persian).
- Lodahl, T. M., & Kejnar, M. (1965). The definition and measurement of job involvement. *Journal of applied psychology*, 49(1).
- Marshall, I. A. (2015). Principal leadership style and teacher commitment among a sample of secondary school teachers in Barbados. *Journal of Arts and Humanities*, 4(5), 43-58.
- Mehri, L., Bakhtiarpour, S., Eftekharsoadi, Z., Homaie, R. (2021). Testing the Causal Model of Academic Engagement Based on Attitudes to Education and Future Career and Academic Self-Steem by Mediating of Academic Buoyancy in Female Students. *Scientific Research Quarterly of Woman and Culture*, 13(50), 61-75. (In Persian).
- Mergani, F. (2017). The relationship between leadership style and employees' self-concept with emphasis on the mediator role of leader-member exchange (Study case: Saderat Bank of Tehran). Master's thesis in the field of transformation management, Allameh Tabatabai University. (In Persian).
- Mnesuta.l, X. (1969). Factors explaining job satisfaction among faculty. *Journal of Agricultural education*, 45(3), 65-74.
- Monsef, F. (2019). Examining the effect of ethical leadership on authentic leadership with the mediation of transformational leadership in Ardabil education. Master's thesis in the field of educational sciences, Islamic Azad University, Maroodasht branch. (In Persian).
- Moosavi, F., & Shirzadi, P. (2019). The Role of Social Capital of School Principals on School Teachers' Job Satisfaction. *Teacher Professional Development*, 3(4), 51-62. (In Persian).
- Mousavi Jahromi, Y., Nobakht, J., & Khaki, N. (2018). Explaining Research Leadership Style and Management at Payame Noor University, Case Study: Tehran Province. *Quarterly Resources and Information Services Management*, 4(2), 75-90. (In Persian).
- Mousavi, S. M., Pourkarimi, J., & Narenji Sani, F. (2020). Identification Professional Competencies of Industrial Educators in the Technical and Vocational Schools. *Journal of Educationl Planning Studies*. 9(17), 19-45. (In Persian).
- Munir, H., & Iqbal, Z, I. (2018). A study of relationship between leadership styles of principals and job satisfaction of teachers in colleges for women. *Bulletin of Education and Research*, 40(2), 65-78.
- Navid Adham, M., & Shafi'zāde, H. (2020). The relationship between the transformational leadership and job performance of second cycle high school teachers of Tehran. *Educational Innovations*, 19(2), 35-56. (In Persian).
- Niasati, R., falah, V., & Taheri, F. (2020). The effect of perceived social support on organizational silence in order to present models in free universities of Mazandaran province. *Journal of Research in Educational Science*, 14(Special Issue), 461-482. (In Persian).
- Nik Del Makki, E. (2019). The relationship between authentic leadership and emotional creativity of teachers with the mediating role of their empowerment. Master's thesis in the field of educational sciences, Payam Noor University, Torbat Haydaria Center. (In Persian).
- Qiu, S., Alizadeh, A., Dooley, L. M., & Zhang, R. (2019). The effects of authentic leadership on trust in leaders, organizational citizenship behavior, and service quality in the Chinese hospitality industry. *Journal of Hospitality and Tourism Management*, 40, 77-87.
- Rajabzadeh, R, Lesani, M.Motahari Nezhad, M. (2015). The relationship between teachers' perceptions of principal's educational leadership behaviors and their effectiveness and attitudes toward organizational change. *Leadership Research and Education Management*. 2(5), 123-145. (In Persian).
- Rastegar, A., Talebi, S., Nadi, Z., & Seif, M. H. (2017). The Relationship between Authentic Leadership and Teachers:' Organizational Citizenship Behavior. *Journal of Management and Planning In Educational System*, 10(1), 49-62. (In Persian).
- Saeed Y, Tabanejad Z, Nehrir B, Ebadi A, Khoshab H, Babajani S. (2015).The relationship between job involvement and demographic characteristics in nurses in hospitals of Tehran and Kerman in 2013. *Journal of Clinical Nursing and Midwifery*.3 (4):39-46. (In Persian).



- Semedo, A. S. D., Coelho, A. F. M., & Ribeiro, N. M. P. (2016). Effects of authentic leadership, affective commitment and job resourcefulness on employees' creativity and individual performance. *Leadership & Organization Development Journal*, 37(8), 1038-1055.
- Tabatabai adnan, E., jalili shishavan, A., bigdeli, H., moosazadeh, Z. (2021). Causal Explanation of Job Engagement of Physical Education Teachers Based on Goal Orientation And Teaching Emotions. *Journal of Research in Educational Science*, 15(53), 139-149. (In Persian).
- Taştan, S. B., & Türker, M. V. (2018). A Study of the Relationship between Organizational Culture and Job Involvement: The Moderating Role of Psychological Conditions of Meaningfulness and Safety. *Procedia-Social and Behavioral Sciences*, 149, 943-947.
- Tooley, S., & Hooks, J. (2020). Accounting for volunteers: Enhancing organizational accountability and legitimacy. *Nonprofit and Voluntary Sector Quarterly*, 49(1), 93-112.
- Walumbwa, F. O., Avolio, B. J., Gardner, W. L., Wernsing, T. S., & Peterson, S. J. (2008). Authentic Leadership: Development and Validation of a Theory-Based Measure. *Journal of Management*, 34(1), 89-126. <https://doi.org/10.1177/0149206307308913>
- Wang, F., Pollock, K. E., & Hauseman, C. (2018). School principals' job satisfaction: The effects of work intensification. *Canadian Journal of Educational Administration and Policy*, 185, 73.
- Weiss, M., & Zacher, H. (2022). Why and when does voice lead to increased job engagement? The role of perceived voice appreciation and emotional stability. *Journal of Vocational Behavior*, 132, 103662.
- Yuan, Z., Ye, Z., & Zhong, M. (2021). Plug back into work, safely: Job reattachment, leader safety commitment, and job engagement in the COVID-19 pandemic. *Journal of Applied Psychology*, 106(1), 62.
- Zardoshtian, S., Abbasi, H., Esmaeili, M., Khanmoradi, S. (2015). The Relationship Perceived Organizational Support, Job Involvement and Organizational Citizenship Behavior of Physical Education Teachers in Hamedan Province. *Scientific Journal Of Organizational Behavior Management in Sport Studies*, 2(2), 93-103. (In Persian).
- Zavvar, T., Bahari, P., Abdollahi Asl, S., & Delkhosh, V. (2021). The role of participatory management and social responsibility of principals in First high school teacher's job satisfaction: creativity mediation test of principals. *Managing Education in Organizations*, 10(1), 149-172. (In Persian).
- Ziaei M, Rezaei G, Yarmohammadi H, khoshboo E, Gharagozlou F. (2015). The relationship between teachers' job involvement and demographic characteristics in Dalahou (Kermanshah) secondary schools in 2013. *Iran J Ergon*. 3 (1):59-64. (In Persian).